

Ground - Fault Relay

ER95



- ป้องกันกระแสรั่วลง Ground
- ตั้งหน่วงเวลาได้ 0 - 1 sec

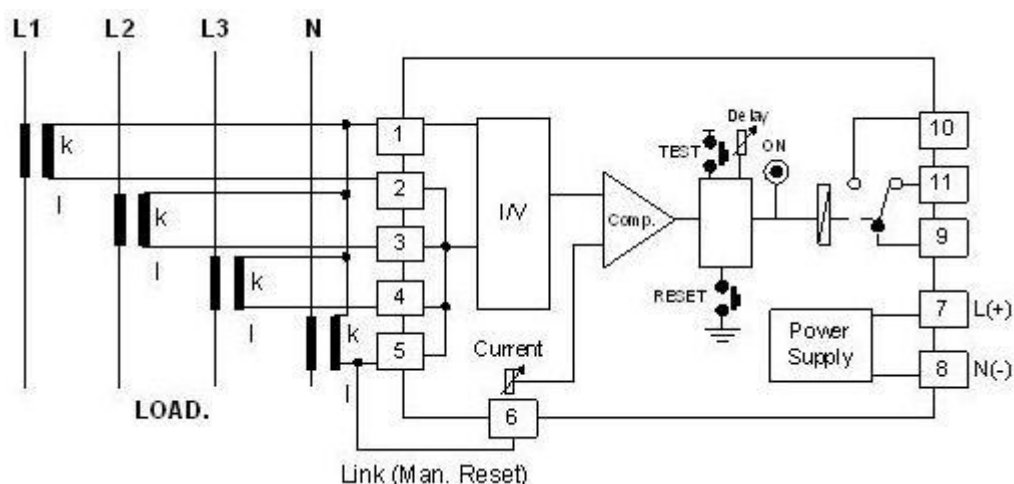
Ground-Fault Relay ER95 is an equipment for detect Ground-Fault Current. It operate with external CT/5A (Current Transformer) It can operate in 2 mode as the following.

Auto Reset Mode

When Ground-Fault Current is over "Current" Setpoint. The internal relay will on and terminal "9" will break from terminal "11" and connect with terminal "10". When Ground-Fault Current drop below "Current" Setpoint. The internal relay will off and the contact will switch back to the first stage.

Manual Reset Mode

to operate in this mode the cable have to short between terminal "5" and terminal "6". When Ground-Fault Current is over "Current" Setpoint. The Internal relay will on but when Ground-Fault Current drop below "Current" Setpoint the relay will not off you have to push the "Reset" button the relay will off.



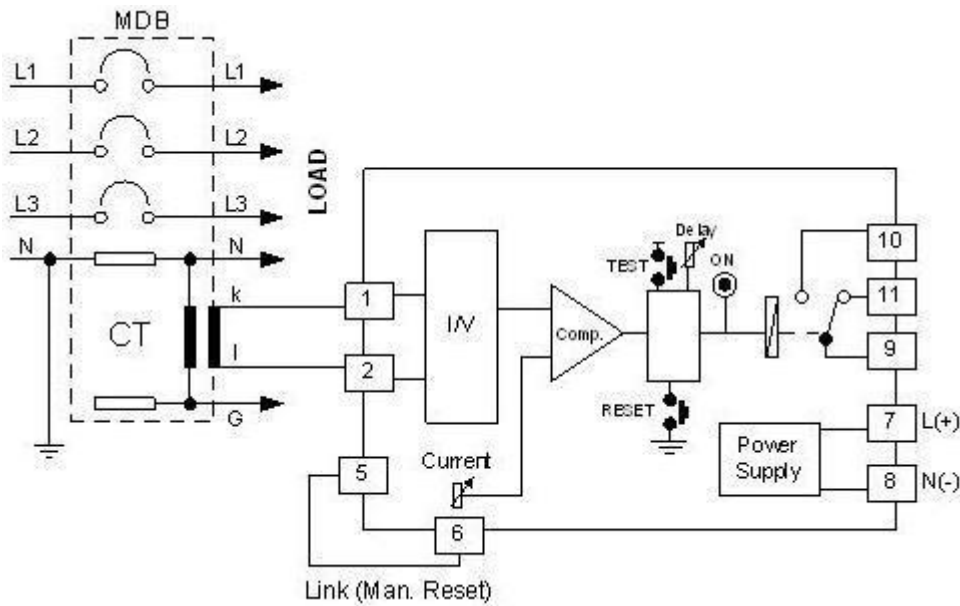
The scale of "Current" Setting knob is depend on CT Ration that connect with ER95 as the following formula

$$\text{"Current" Setting} = (\text{Ground - Fault Current}) / \text{CT Ratio}$$

Example using CT 500/5A and want to set Ground-Fault Current trip at 30A. From the formular

$$\text{"Current" Setting} = (30 \times 5) / 500 = 0.3$$

From the calculation you have to set "Current" knob at 0.3



Specifications

Input

Number of Channel: 1 Channel

Input Type: Current (AC)

Input Range: 0 to 1 A (1 VA Max.)

Overload: 2 x Rating Continuously,
10 x Rating for 3 sec

Setting Current: 0 to 1 A

Time Delay: Adjustable 0 to 1 sec.

Operating Mode: "Auto Reset" or "Manual Reset" Mode Selectable

Relay Output

Number of Channel: 1 Channel

Relay Type: N.O., N.C. (SPDT)

Contact Rating: 3 A @ 250 VAC

Power Requirements

Power Supply: 110, 220 VAC

Environmental Limits

Operating Temperature: 0 to 55 °C

Operating Humidity: 5 to 95% RH

Storage Temperature: 0 to 70 °C

Physical Characteristics

Dimension: W50 x H70 x D130 mm.

Mounting: Wall or DIN rail

Connection: Plug-in 11 pins socket

Wiring: Screw Terminals on Base Socket

Warranty

Warranty Period: 5 Year

Ordering Information: Specify Power Supply

Example ER95/220VAC

Package Checklist

1. ER95